

SELBY

5L Pedal Bin

CORBY



DOMED LID
To reduce water settling

SOFT CLOSE

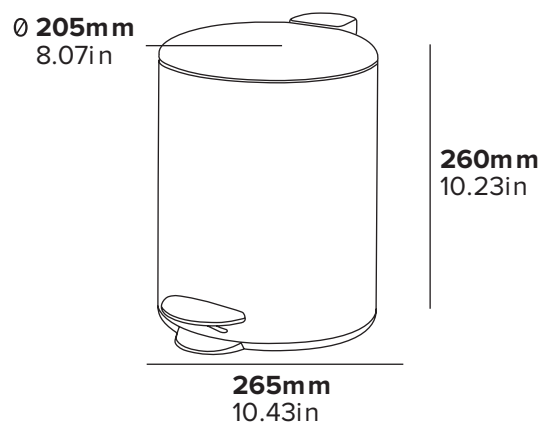
INNER LAYER
Removable inner bucket

EXTRA-STABLE BASE

- 90° opening lid
- Inner bin
- Large foot pedal
- Extra-stable base

Specification

Polished Steel
0.95kg
0.35mm thickness



SELBY

5L Pedal Bin

CORBY



ABOUT THIS PRODUCT

The Selby 5L Pedal Bin is a sleek yet practical addition to the guest room, designed to deliver everyday convenience with a clean, considered finish. Its domed lid helps reduce water settling, while the soft-close mechanism ensures quiet, discreet use. A large foot pedal allows for easy, hands-free operation, with a 90° opening lid for full access. The removable inner bucket supports quick and efficient emptying, while the extra-stable base enhances durability in daily use. Thoughtfully designed throughout, the Selby Pedal Bin balances functionality with a refined, unobtrusive presence.