

OXFORD

Ironing Centre

CORBY



HOTEL SAFETY IRON

INTEGRATED HOOK
Easy to store

CORD TIDY
Convenient & fast storage solution

DUAL SIDED OPENING MECHANISM
Designed for left and right hand users

BURN PROOF ALUMINISED COVER
Reflects heat for safe, fast & efficient ironing, helps prevent heat staining

180° ROTATING IRON REST
Designed for left and right hand users

STEAM FLOW MESH BOARD
Allows steam to pass through clothing for effective ironing

7 HEIGHT POSITIONS
Accommodates multiple users

- Lightweight
- Durable black powder coated legs & frame
- Multi-surface feet
- Easy open mechanism
- Felt backed replaceable cover
- Anti-theft security box
- Compatible with all Corby irons
- 3-way auto cut-off system
- Horizontal & vertical steam function

Specification

Light Grey

5.00-5.57kg

*Iron & iron holder supplied separately



2 YEAR ELECTRICAL GUARANTEE



HOTEL SPECIFIED



BRITISH DESIGNED



AUTO-OFF 30 SEC



AUTO-OFF 8 MINS



NON-STICK SOLEPLATE



ANTI DRIP



STEAM-FLOW MESH BOARD



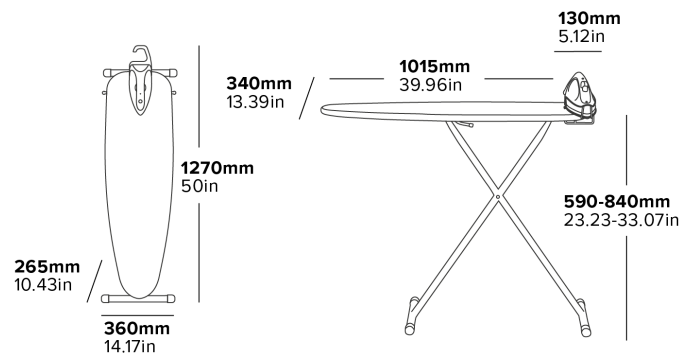
MULTISURFACE FEET



7 HEIGHT POSITIONS



ANTI-THEFT PROTECTED



OXFORD

Ironing Centre

CORBY



ABOUT THIS PRODUCT

The Oxford Ironing Centre in Light Grey combines style, security, and high performance, making it the ideal choice for hotel guest rooms. Supplied with a powerful Corby iron, it delivers quick and efficient results for all ironing needs. The integrated hanger and cable tidy ensure a clutter-free experience, while the easy opening mechanism allows for effortless setup. For added security, the ironing centre features an anti-theft security box to safeguard the iron. The 3-way auto cut-off system enhances safety by automatically shutting off the iron when not in use.