

# SELBY

## 5L Pedal Bin

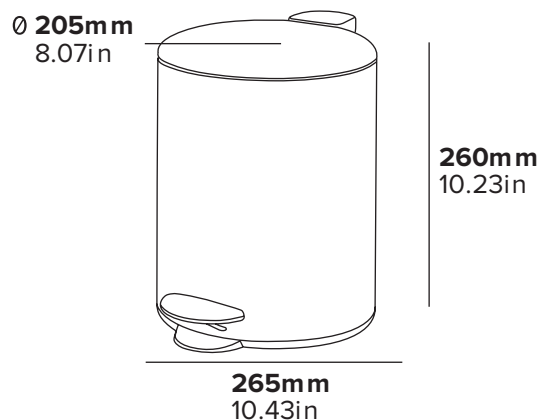
CORBY



- 90° opening lid
- Inner bin
- Large foot pedal
- Extra-stable base

### Specification

Black  
0.95kg  
0.35mm thickness



# SELBY

## 5L Pedal Bin

CORBY



### ABOUT THIS PRODUCT

The Selby 5L Pedal Bin is a sleek yet practical addition to the guest room, designed to deliver everyday convenience with a clean, considered finish. Its domed lid helps reduce water settling, while the soft-close mechanism ensures quiet, discreet use. A large foot pedal allows for easy, hands-free operation, with a 90° opening lid for full access. The removable inner bucket supports quick and efficient emptying, while the extra-stable base enhances durability in daily use. Thoughtfully designed throughout, the Selby Pedal Bin balances functionality with a refined, unobtrusive presence.